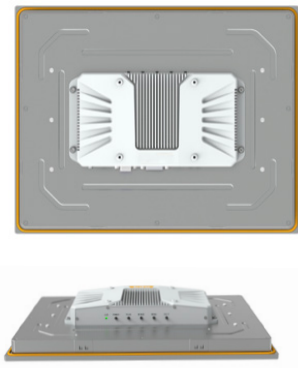


# WTM-150D-R

15-inch Industrial Grade Resistive Touch Monitor

## Features

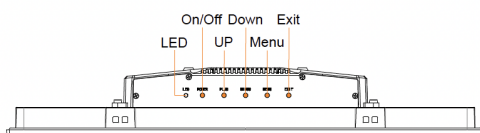
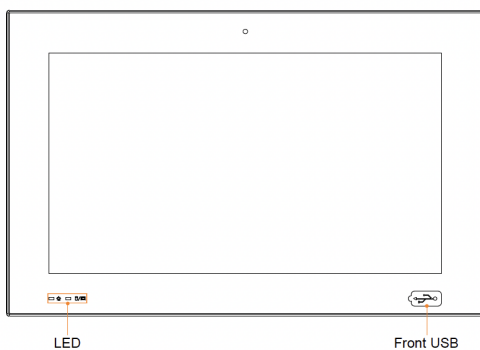
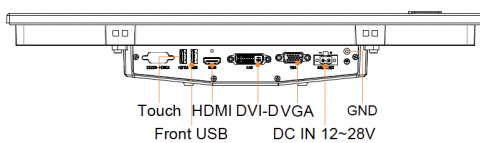
- Die cast magnesium alloy, Cover: SGCC
- 15-inch Fully flat panel Design
- Five-wire Analog Resistive Touch
- Front panel integrates USB Type A and signal indicator lights
- Robust HDMI™ / DisplayPort / VGA flexible video input solution
- Support Embedded / VESA Mount
- 12~28V DC Input



## Specifications

|                 |                            |  |
|-----------------|----------------------------|--|
| Display         | Display Size               | 15.0"  |
|                 | Display Type               | XGA TFT-LCD  |
|                 | Max.Resolution             | 1024 x 768   |
|                 | Luminance                  | 300 cd/m2  |
|                 | Aspect Ratio               | 4:3  |
|                 | Viewing Angle              | 88/88/88/88  |
|                 | Max. Color                 | 16.7M  |
|                 | Backlight Lifetime         | 70,000 hrs   |
|                 | Contrast Ratio             | 2000:1   |
| Touch           | Touch Type                 | Five-wire analog resistive                         |
|                 | Controller                 | USB Signal   |
|                 | Input                      | Finger / Touch Pen                                 |
|                 | Light Transmission         | ≥78%   |
|                 | Hardness                   | ≥3H  |
|                 | Click lifetime             | 100gf, 10 million times                            |
|                 | Stroke lifetime            | 100gf, 1 million times                             |
| I/O Interface   | HDMI                       | 1  |
|                 | DVI-D                      | 1  |
|                 | VGA                        | 1  |
|                 | USB                        | 1x USB ; 1x USB for touch ; 1x USB for front panel |
|                 | Physical characteristics   | Mounting   |
| Weight          |                            | Net:4.3 Kg,Total:6.8 Kg                            |
| Dimensions (mm) |                            | 380.1*304.1*63                                     |
| Environment     | Operating Temperature      | -20~70°C   |
|                 | Storage Temperature        | -30~70°C   |
|                 | Vibration During Operation | IEC 60068-2-64 (1Grms@5~500Hz, random, 1hr/axis)   |
|                 | Shock During Operation     | IEC 60068-2-27 (15G, half sine, 11ms)              |
|                 | Certification              | CE/FCC, RoHS                                       |

## I/O interface



FAN LESS BOX-PC

Panel PC

Touch Monitor

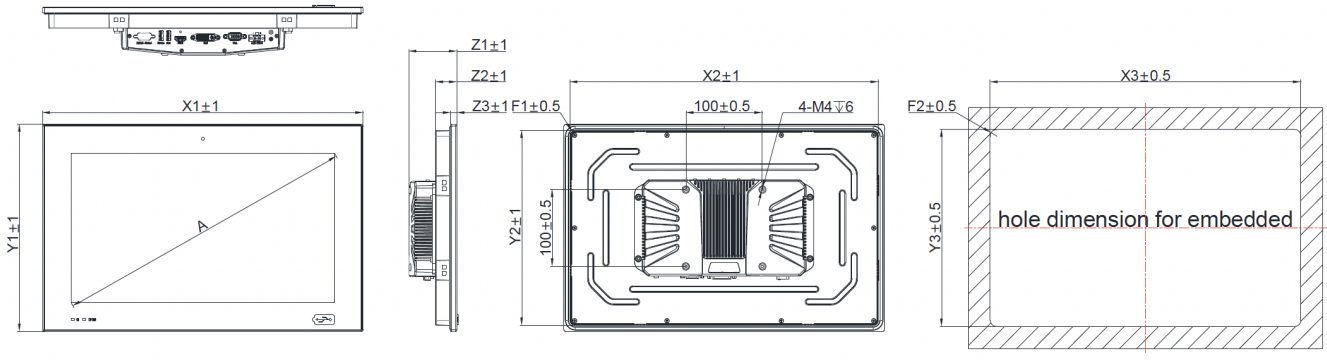
4U SETUP PC

3U SETUP PC

2U SETUP PC

1U SETUP PC

## Dimensions



| A     | System Dimension |       |    |       |       |    | Panel Mount |       |    |     |     |  |
|-------|------------------|-------|----|-------|-------|----|-------------|-------|----|-----|-----|--|
|       | X1               | Y1    | Z1 | X2    | Y2    | Z2 | X3          | Y3    | Z3 | F1  | F2  |  |
| 10.1" | 272.1            | 192.7 | 63 | 260.9 | 181.5 | 28 | 262.5       | 183.1 | 8  | 6.9 | 7.8 |  |
| 10.4" | 284              | 231.2 | 63 | 268.1 | 215.3 | 28 | 269.9       | 217.1 | 8  | 7.1 | 8.5 |  |
| 12.1" | 321.9            | 260.5 | 63 | 307   | 245.6 | 28 | 309.8       | 248.4 | 8  | 7.1 | 8.5 |  |
| 15.0" | 380.1            | 304.1 | 63 | 364.2 | 288.2 | 28 | 367         | 291   | 8  | 7.1 | 8.5 |  |
| 15.6" | 420.3            | 269.7 | 63 | 404.5 | 253.8 | 28 | 407.3       | 256.6 | 8  | 7.1 | 8.5 |  |
| 17.0" | 414              | 346.5 | 63 | 398.2 | 330.6 | 28 | 401         | 333.4 | 8  | 7.1 | 8.5 |  |
| 18.5" | 485.7            | 306.3 | 63 | 469.8 | 290.4 | 28 | 472.6       | 293.2 | 8  | 7.1 | 8.5 |  |
| 19.1" | 484.6            | 332.5 | 63 | 468.7 | 316.6 | 28 | 471.5       | 319.4 | 8  | 7.1 | 8.5 |  |
| 21.5" | 552.6            | 344   | 63 | 536.8 | 328.2 | 28 | 539.5       | 330.9 | 8  | 7.1 | 8.5 |  |

## Ordering Information

| Model name | Description  |
|------------|--|
| WTM-150D-R | 15-inch Resistive Touch Monitor, 1024x768, HDMI, DVI-D, VGA Input, 3x USB ports, 12~18V DC Input |

## Optional Accessories

| Item | Description  |
|------|--|
|      | Male Type-A USB to Male Type-A USB Cable for Touch Length:1.5M |
|      | Male Type-A USB to Male Type-A USB Cable for Touch Length:3M   |
|      | Male Type-A USB to Male Type-A USB Cable for Touch Length:5M   |
|      | Male HDMI to Male HDMI Cable Length:1.5M                       |
|      | Male HDMI to Male HDMI Cable Length:3M                         |
|      | Male HDMI to Male HDMI Cable Length:5M                         |
|      | Male DVI-D to Male DVI-D Cable Length:1.5M                     |
|      | Male DVI-D to Male DVI-D Cable Length:3M                       |
|      | Male DVI-D to Male DVI-D Cable Length:5M                       |
|      | Male VGA to Male VGA Cable Length:1.5M                         |
|      | Male VGA to Male VGA Cable Length:3M                           |
|      | Male VGA to Male VGA Cable Length:5M                           |