

WPPC-215W6-C Series

21.5 inch Capacitive Touch Panel PC with Intel 12/13th Gen Core™ i3/i5/i7 Desktop CPU

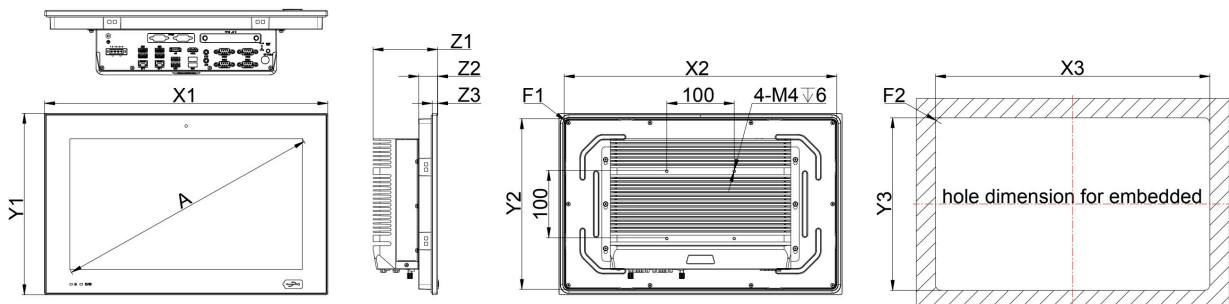
Features

- 21.5-inch Intel® 12/13th Generation Core™ i3/i5/i7 Desktop CPU, Capacitive Touch Panel PC
- Radiator/Panel: Aluminium, Box/Cover: SGCC
- Fanless Design, 9~36V DC Input
- 1* Intel i225-V 2.5GbE, 1*Intel i219 GbE
- The front panel integrates USB Type-A and signal indicators
- Front panel IP65 Waterproof
- Compatible CE, RoHS, FCC and CCC certificates.

Specifications

Display Parameter	Size	21.5 inch TFT LCD screen	
	Viewing angle(H/V)	89/89/89/89 (L/R/U/D)	
	Resolution	1920x1080 (16:9)	
	Color	16.7M	
	Brightness	250 cd/m ²	
	Backlight	LED	
	Contrast ratio	1000:1	
	Touch Method	PCAP Projected 10 points capacitive touch	
;Computer Parater	CPU	Intel® 12/13th Generation Core / Pentium/ Celeron 35W Desktop CPU	
	Memory	2 * Non-ECC SO-DIMM Slot, Dual Channel DDR4 up to 3200MHz; 64GB, Single Max. 32GB	
	Storage	1 * SATA3.0, Quick release 2.5" hard disk bays (T ≤ 7mm) 1 * SATA3.0, Internal 2.5" hard disk bays (T ≤ 9mm, Optional) 1 * M.2 KeyM (SATA3.0, 2280)	
	Watchdog	Programmable 1 ~ 255 sec	
	Operating System	Win10/11	
	PowerSW	1*PowerSW	
	Power Input	DC 9V~36V	
	Phoenix terminal	1 * 4Pin Connector, P=5.00/5.08	
	Dimension (mm)	560*344*95.7 (L * W * H)	
	Cutout Size(mm)	539.5 x 330.9mm	
	Appearance Feature	Enclosure Material	Radiator/Panel: Aluminium, Box/Cover: SGCC
		Heat Dissipation Method	Passive cooling
Mounting		VESA, embedded	
Waterproof Level		Only front panel IP65	
Communication Interface	1*Intel®i225-V, 1*Intel®i219, 1*DP, 1*HDMI, 4*USB 3.2, 2 *RS232/485 (COM1/2, DB9/M, BIOS control), 2 * RS232 (COM3/4, DB9/M, Full Lanes), 2 * USB2.0		
Working Envoriment	Working Temp.	0°C -60 °C	
	Working Humidity	5%RH -95%RH	
	Vibration During Operation	With SSD: IEC 60068-2-64 (1Grms@5~500Hz, random, 1hr/axis)	
	Shock During Operation	With SSD: IEC 60068-2-27 (15G, half sine, 11ms)	

Dimension



A	System Dimension						Panel Mount					
	X1	Y1	Z1	X2	Y2	Z2	X3	Y3	Z3	F1	F2	
12.1"	321.9	260.5	95.7	307	245.6	28	309.8	248.4	8	7.1	8.5	
15.0"	380.1	304.1	95.7	364.2	288.2	28	367	291	8	7.1	8.5	
15.6"	420.3	269.7	95.7	404.5	253.8	28	407.3	256.6	8	7.1	8.5	
17.0"	414	346.5	95.7	398.2	330.6	28	401	333.4	8	7.1	8.5	
18.5"	485.7	306.3	95.7	469.8	290.4	28	472.6	293.2	8	7.1	8.5	
19.1"	484.6	332.5	95.7	468.7	316.6	28	471.5	319.4	8	7.1	8.5	
21.5"	550	344	95.7	538.7	327.7	28	539.5	330.9	8	7.1	8.5	

UNIT: mm

Ordering Information

Model name	Description
WPPC-215W6-C	21.5-inch Capacitive Touch Panel PC With LGA1700 CPU Socket, 2*LAN Port, 4*USB 3.2, 2*USB 2.0, 2*RS-232/485, 2*RS-232, 1*HDMI, 1*DP